

Vacuum Blowers

Vacuum Blowers MAH

Suction capacity: 165m³/h to 110m³/h

Vacuum Blowers MAH



Introduction and application

- ◆ Handling cartons, foams, insulation, recycled materials and other materials that are highly breathable
- ◆ High suction capacity for easy compensation for leaks

Design

- ◆ The outer casing and blades are made of high-strength die-cast aluminum
- ◆ Various suction capacity options
- ◆ For reliable handling of breathable materials
- ◆ No vibration operation, high suction capacity
- ◆ Optimal adjustment according to customer requirements

Ordering Guide Vacuum Blowers MAH

Type	Ordering Data
MAH 01	90.05.01.00231
MAH 02	90.05.01.00232
MAH 03	90.05.01.00233
MAH 04	90.05.01.00234
MAH 05	90.05.01.00235
MAH 06	90.05.01.00236

Technical Data Vacuum Blowers MAH

Type	Power [KW]	Maximum vacuum [mbar]	Maximum flow [m ³ /h]	weight [Kg]
MAH 01	3.3	460	165	48
MAH 02	4.0	390	230	44
MAH 03	5.5	440	320	70
MAH 04	7.5	400	520	88
MAH 05	12.5	300	1110	187
MAH 06	16.5	410	1110	197

Combined Suction Cups

Vacuum Suction Cups

Composite Suction Cups

Special Grippers

Vacuum Gripping Systems

Mounting Elements

Vacuum Generators

Valve Technology

Switch And Monitoring

Vacuum Filters

Vacuum Blowers

Vacuum Blowers MAH

Suction capacity: 165m³/h to 110m³/h



Performance curve Vacuum Blowers MAH

Combined Suction Cups

Vacuum Suction Cups

Composite Suction Cups

Special Grippers

Vacuum Gripping Systems

Mounting Elements

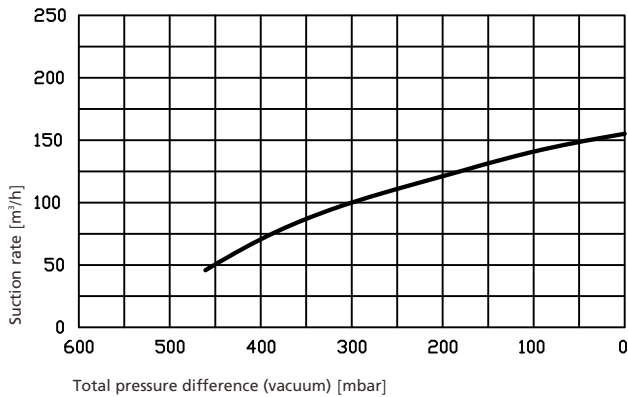
Vacuum Generators

Valve Technology

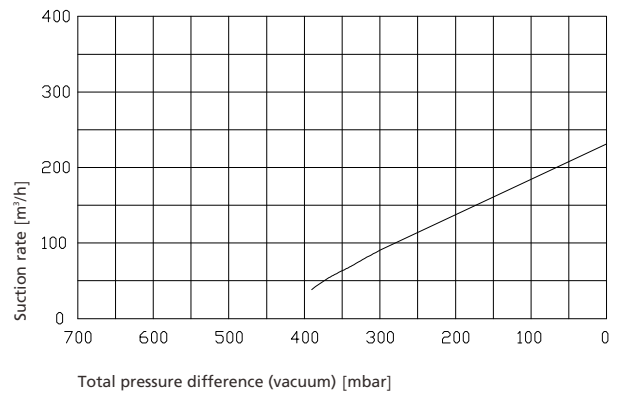
Switch And Monitoring

Vacuum Filters

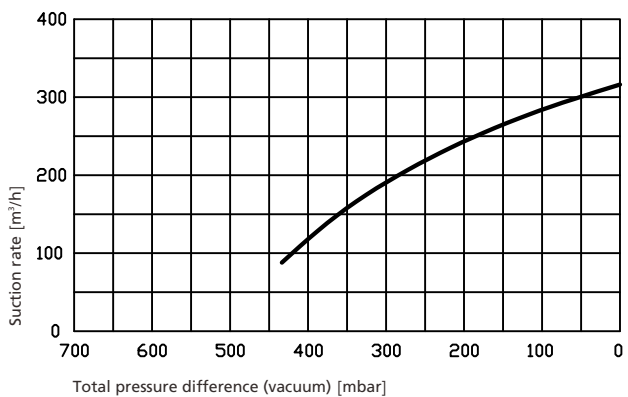
MAH 01 Suction capacity for various vacuum ranges



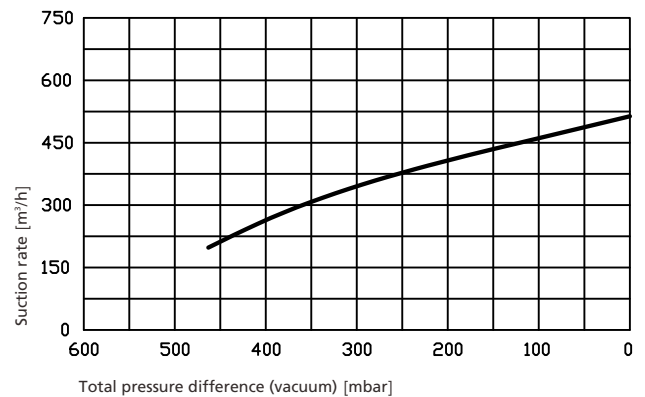
MAH 01 Suction capacity for various vacuum ranges



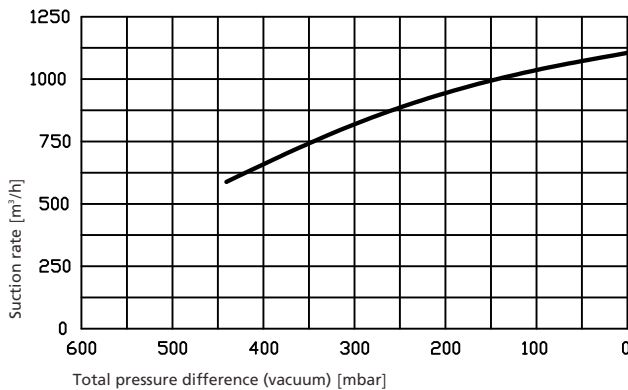
MAH 03 Suction capacity for various vacuum ranges



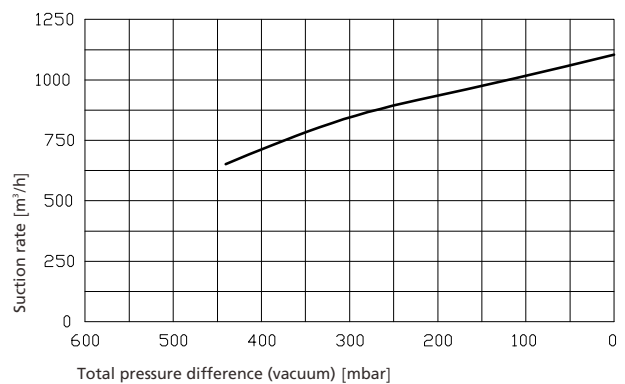
MAH 04 Suction capacity for various vacuum ranges



MAH 05 Suction capacity for various vacuum ranges



MAH 05 Suction capacity for various vacuum ranges



Vacuum Blowers

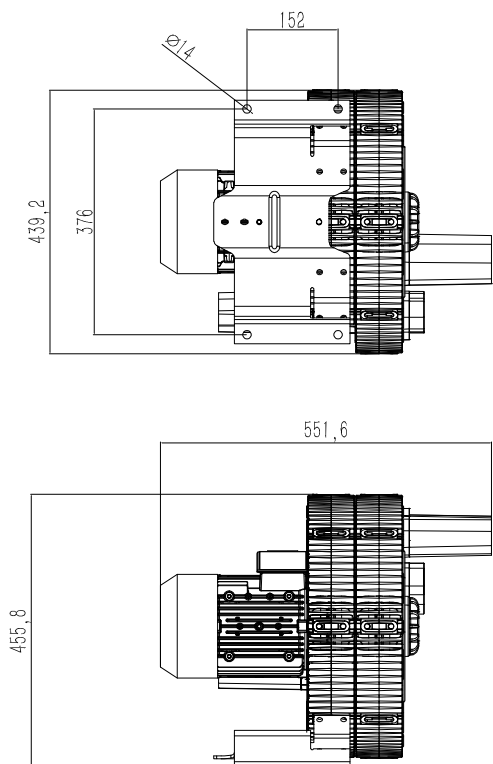
Vacuum Blowers MAH

Suction capacity: 165m³/h to 110m³/h

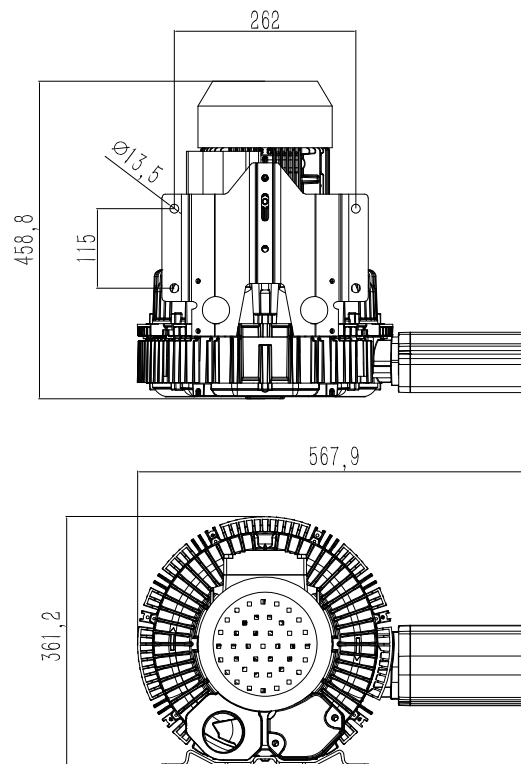


Design Data Vacuum Blowers MAH

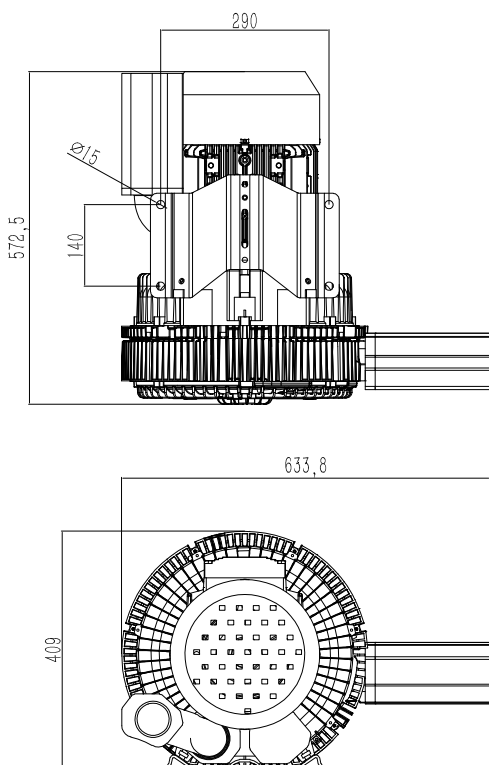
MAH 01



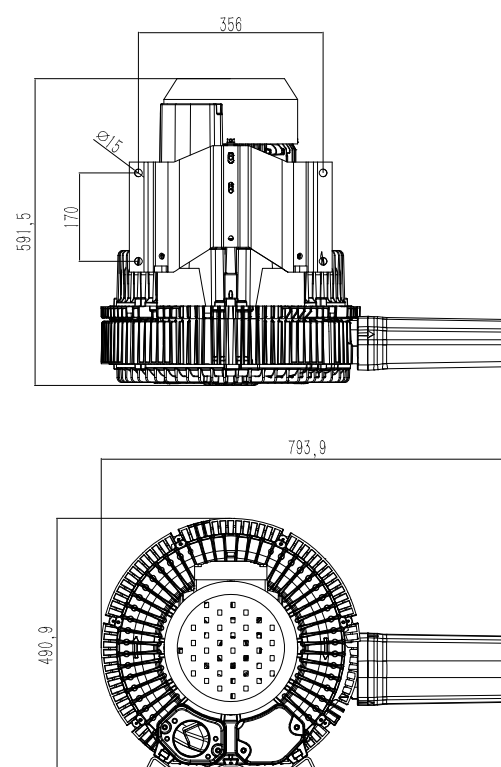
MAH 02



MAH 03



MAH 04



组合式吸盘

真空吸盘

复合式吸盘

特殊吸盘

真空夹具系统

安装部件

真空产生装置

阀体技术

开关与系统监控

真空过滤器

Vacuum Blowers



Vacuum Blowers MAH

Suction capacity: 165m³/h to 110m³/h



Design Data Vacuum Blowers MAH

Combined Suction Cups

Vacuum Suction Cups

Composite Suction Cups

Special Grippers

Vacuum Gripping Systems

Mounting Elements

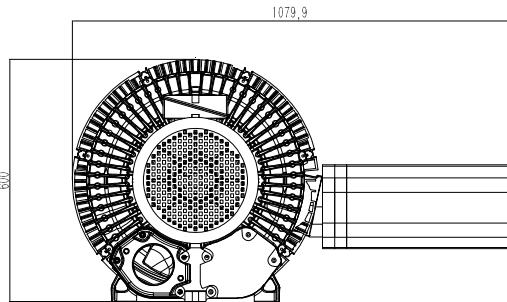
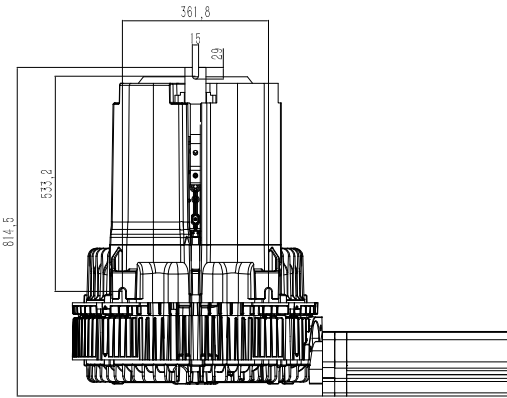
Vacuum Generators

Valve Technology

Switch And Monitoring

Vacuum Filters

MAH 05



MAH 06

